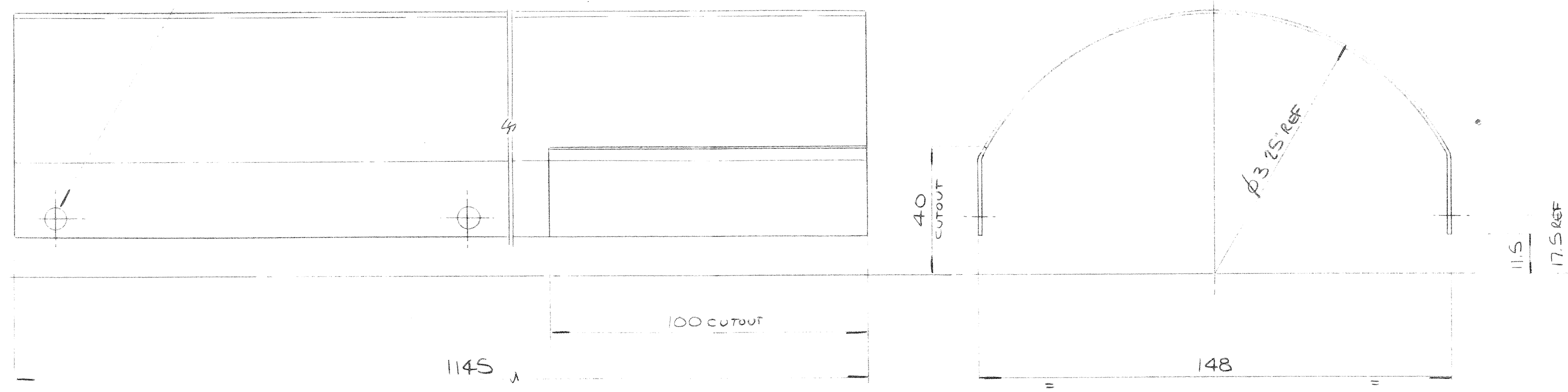


THIRD ANGLE PROJECTION

DRAWING NUMBER  
AJE 0142  
SHEET 4 OF 4

FIRST ISSUE  
B501S  
FORM 1001 (2001)

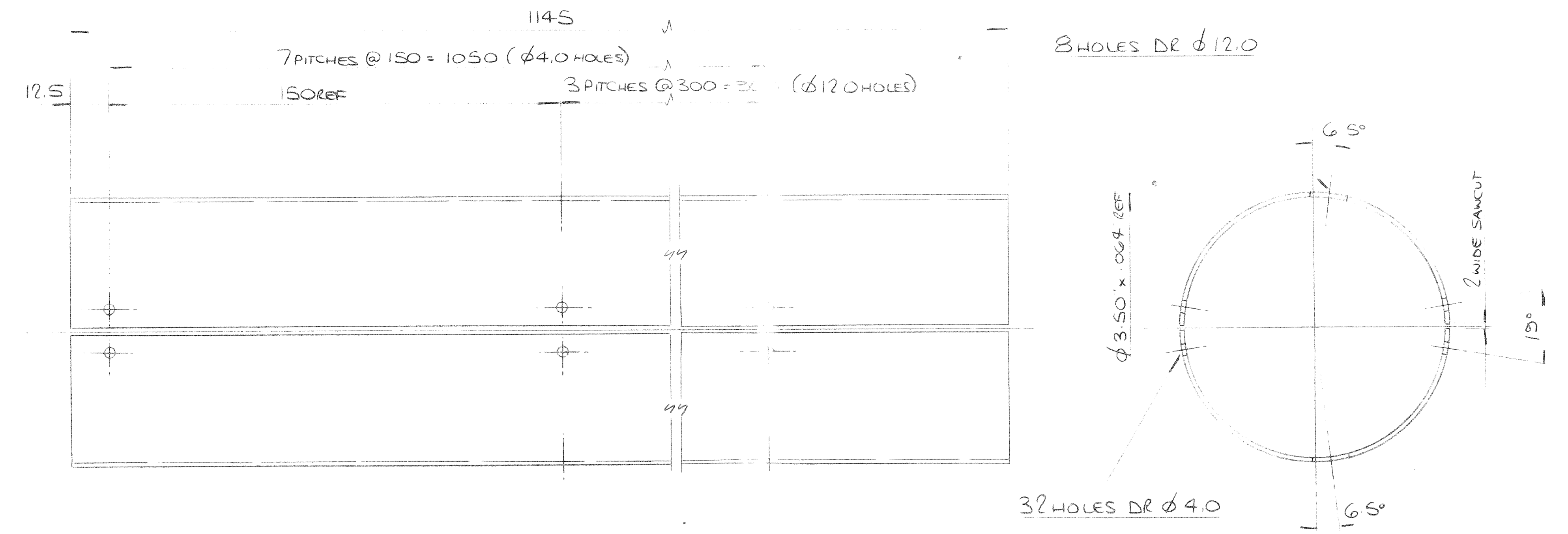
8 HOLES DR  $\phi 7.15$  (9/32)  
ON ASSY FOR PRESSNUT  
POSITIONS TO SUIT ITEM 18



19 1 OFF CU TUBE (MKS 2 ITEMS)  
RCT0108 ( $\phi 6.50 \times 0.64$ )

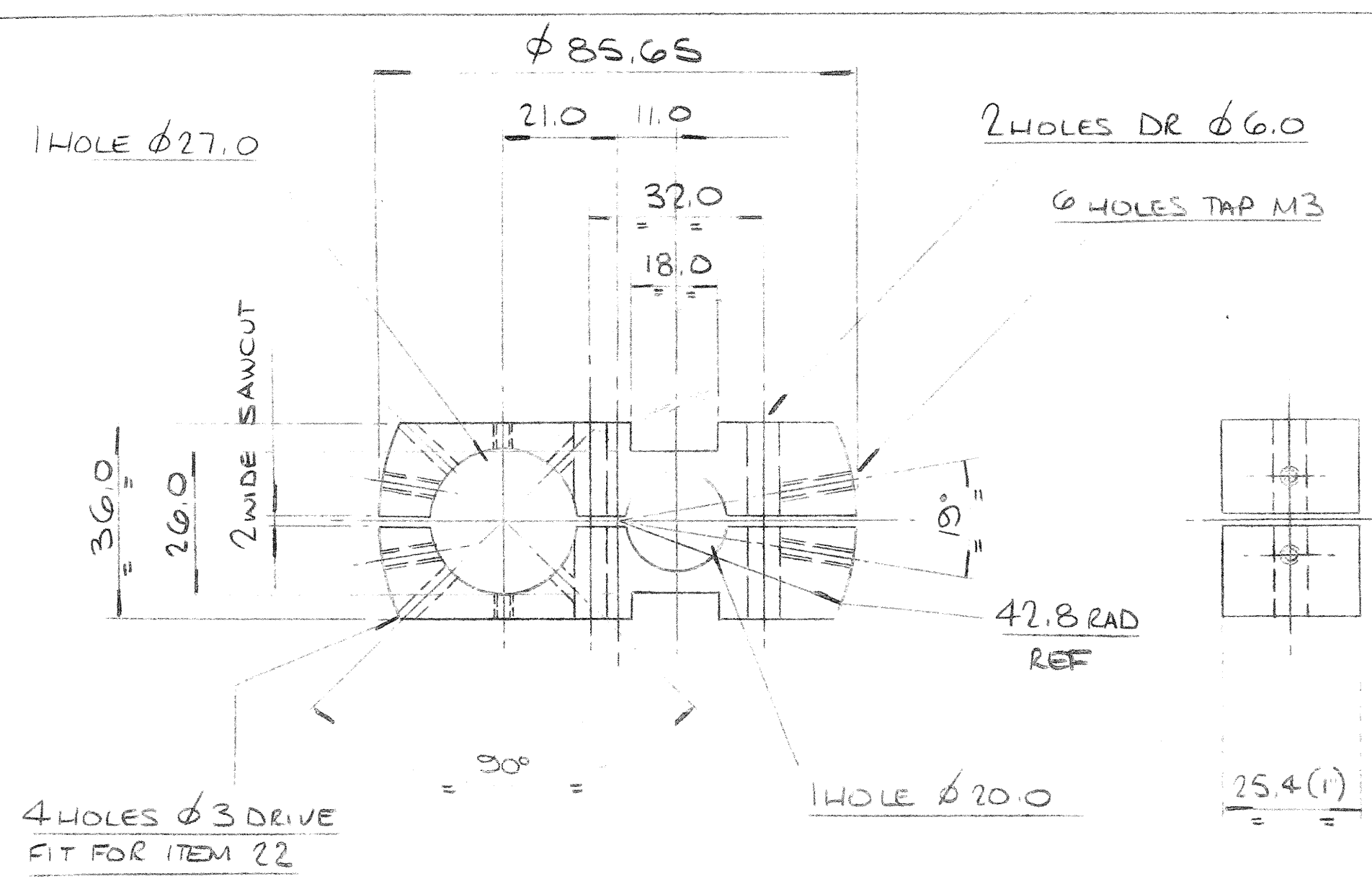
\* 2 OFF REQD 1 OFF AS DRAWN 1 OFF OPPOSITE HAND  
MAKE FROM 1 LENGTH OF TUBE

SCALE FULL



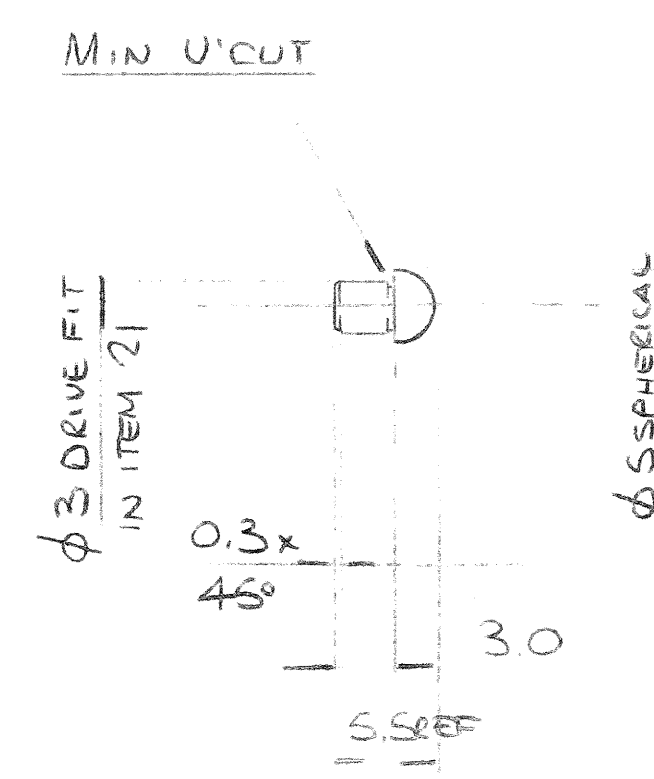
20 1 OFF CU TUBE (MAKES 2 ITEMS)  
RCT0123 ( $\phi 3.50 \times 0.64$ )

SCALE FULL



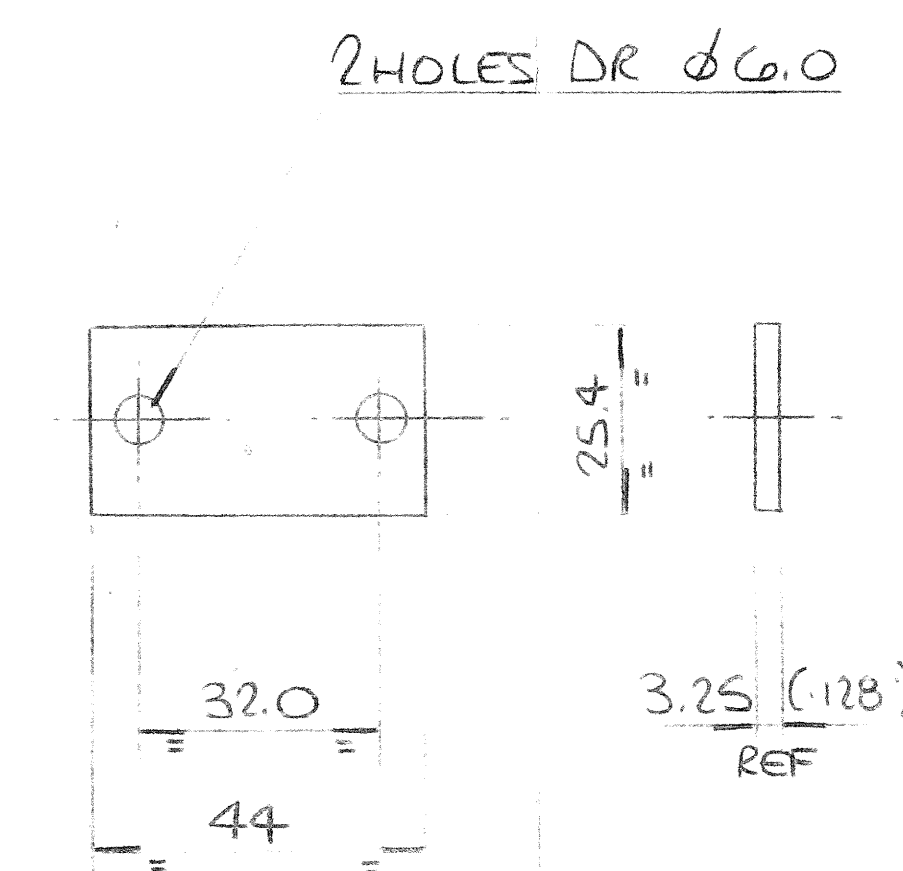
21 2 OFF CU BARR (MKS 18 ITEMS)  
RCB0010 (1" x 4")

SCALE FULL



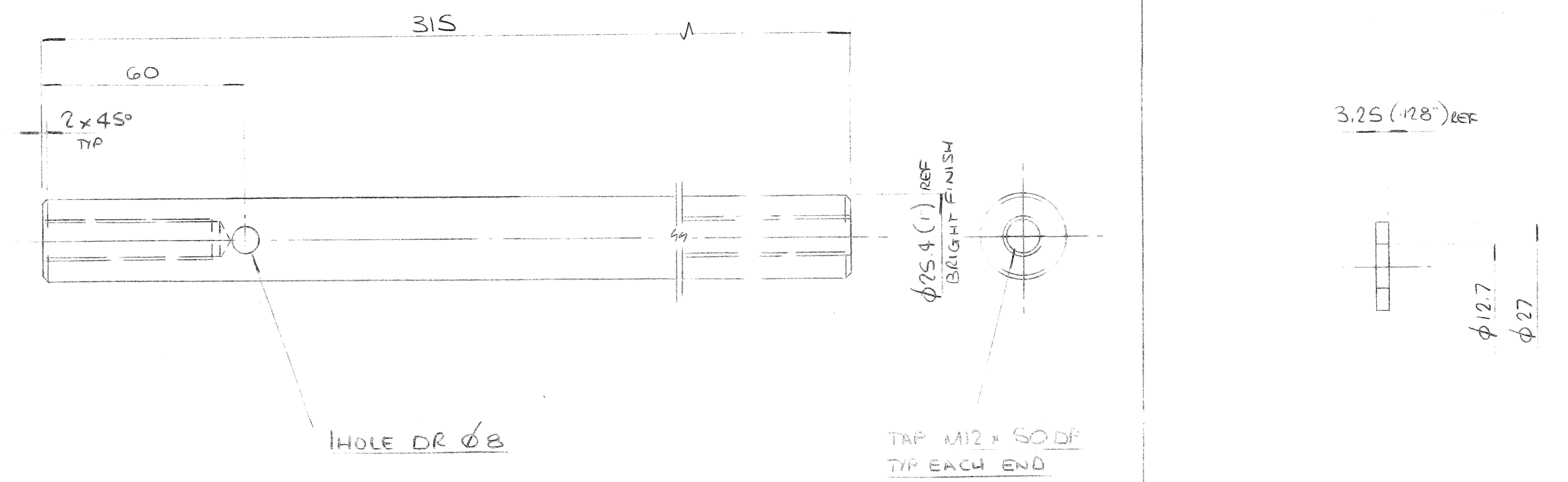
22 36 OFF NYLON ROD  
NNR0002 ( $\phi 1/4$ )

SCALE 2x FULL SIZE



23 18 OFF ST ST (304) PLATE  
RSP0004 (128)

SCALE FULL

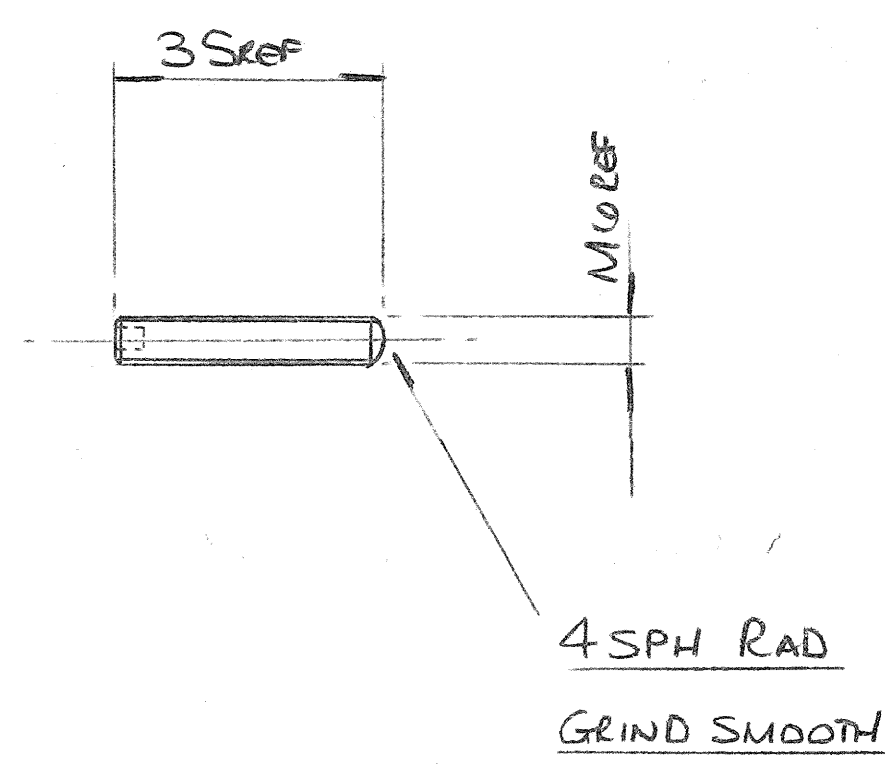


24 4 OFF ST ST (304) ROD  
RSR0013 ( $\phi 1.0$ )

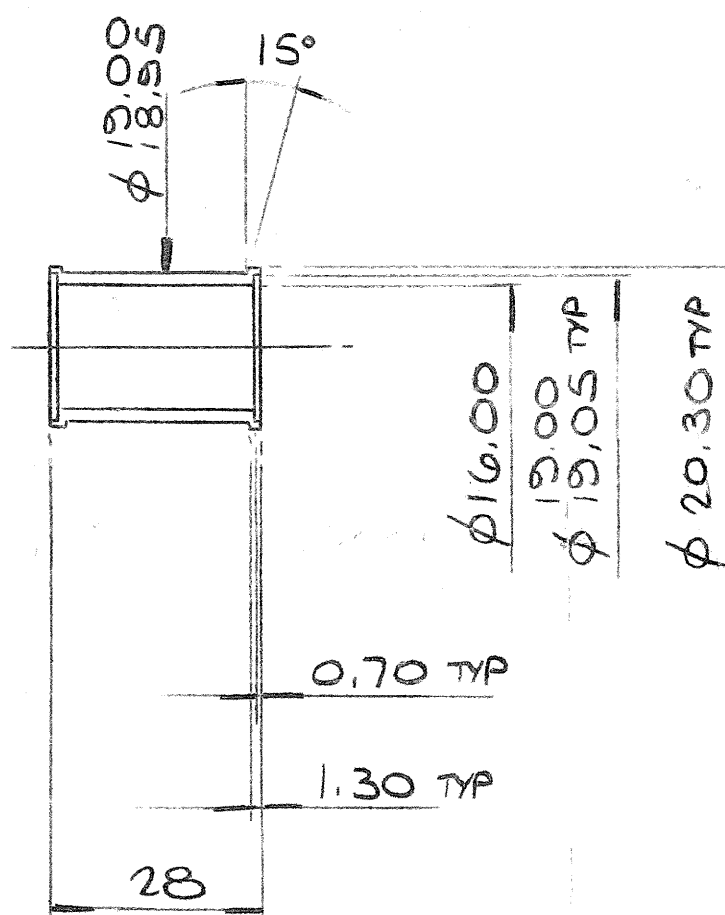
SCALE FULL

25 4 OFF ST ST PLATE  
RSP0004 (128)

SCALE FULL



27 12 OFF M6 x 35 ST ST SET SCREW



28 60 OFF ST ST (B) ROD  
RSR0012 ( $\phi 8.75$ )

ISSUE	DATE	CHANGE NO.	ISSUE	DATE	CHANGE NO.
D	18.11.02	003			
C	15.08.02	002			
B	15.08.02	001			
A	15.08.02	000			

TOLERANCES		TITLE	
METRIC	IMPERIAL	NECK ASSY	
X + 0.5	XX + 0.015	<p>THIS DRAWING BELONGS TO OXFORD INSTRUMENTS LIMITED AND IS ISSUED ON CONDITION THAT IT IS NOT COPIED, REPRINTED OR DISCLOSED EITHER IN WHOLE OR IN PART TO A THIRD PARTY WITHOUT THE CONSENT OF OXFORD INSTRUMENTS LIMITED</p>	
XX + 0.3	XXX + 0.010		
XXX + 0.1	XXXX + 0.005		
DRN	CHKD	APPD	DIMENSION'S IN
LAG	RAG		mm
DATE	DATE	DATE	SCALE
15.08.02			1:1 (2.0)

**OXFORD**  
Oxford Instruments Limited  
Osney Mead  
Oxford OX2 0DX  
England

DRAWING NUMBER  
AJE 0142  
SHEET 4 OF 4